

SUPER MARKET REFRIGERATION

REFRIGERATION SOLUTIONS TO HELP
YOUR BUSINESS DO BETTER.



Scan QR Code -
Blue Star Customer
Care Mobile App.



SMS "SERVICE" to 57575



Download Blue Star Customer
Care Mobile App from
App Store & Google Play



To know more about Blue Star, visit
www.bluestarindia.com, email us at
coolingsolution@bluestarindia.com
or SMS "COOL" to 57575



24X7 CUSTOMER CARE
(Toll Free) 1800 209 1177
1860 266 6666

REGIONAL HEADQUARTERS • **Chennai:** KRM Plaza, No 2, Harrington Road, Chetpet, Chennai – 600 031. Phone: (+91) (44) 4244 4000, Fax: (+91) (44) 2836 2101 • **Kolkata:** Eco Centre Business Tower, 11th Floor, Unit No: 1 & 2, Plot No 4, EM Block, Sector V, Salt Lake, Bidhannagar, Kolkata – 700 091. Phone: (+91) (33) 4081 5400 • **Mumbai:** Blue Star House, 9A, Ghatkopar, Link Road, Sakinaka, Mumbai – 400 072. Phone: (+91) (22) 6668 4000. Fax: (+91) (22) 6668 4004. • **Gurugram:** 8th Floor, Vatika Atrium, Golf Course Road, Sector 53, Gurugram – 122 002 (Haryana). Phone: (+1) (124) 409 4000. Fax: (+91) (124) 409 4004. **SALES AND SERVICE OFFICES** • **Ahmedabad:** 301–302, Abhisree Avenue, Near Nehru Nagar Circle, S M Road, Ambawadi, Ahmedabad 380 015, India. Phone: (+91) (79) 4022 4000. • **Bengaluru:** Anjuman Kay Arr Tower, No 28, Ward No 77, Mission Road, Bengaluru – 560 027. Phone: (+91) (80) 4185 4000. Fax: (+91) (80) 4185 4001. • **Bhubaneswar:** 3A, Satya Nagar, 2nd Floor, Bhubaneswar – 751 007. Phone: (+91) (674) 2572403 / 2573670 / 2570024. Fax: (+91) (674) 257 0544. • **Chandigarh:** Sanjeev Tower, 6th Floor, Plot No 55, Industrial Area Phase 1, Chandigarh – 160002. Phone: (+91) (172) 415 5100. • **Chennai:** Blue Star Limited, 620, Anna Salai, Model School Road, Chennai – 600 006. Phone: (+91) (44) 4044 4000. Fax: (+91) (44) 4044 4001. • **Coimbatore:** Krisan Workspaces, Mayflower Valencia, 4th Floor, Nava India Rd, Coimbatore, 641004. Phone: (+91) (0422) 4377125. Fax: (+91) (0422) 4377127. • **Goa:** 210, 2nd Floor, Gera's Imperium I, Patto, Panjim, Goa – 403 001. Phone: (+91) (832) 2438171/2437287. • **Guwahati:** Oasis Plaza, 1st Floor, Dr. B. Barooah Road, Ulubari, Kamrup, Guwahati – 781 007, Assam (Opposite Hotel Land Mark). Phone: (+91) (361) 246 8496. • **Hyderabad:** Ashoka Raghupati Chambers, No 1–10–60 to 64, 4th Floor, S P Road, Begumpet, Hyderabad, Telangana 500 016, India. Phone: (+91) (40) 4400 4000. Fax: (+91) (40) 4400 4001. • **Indore:** Office No 502, Maloo-01 26/C, Scheme No 94/C Ring Road, Indore – 452 010. Phone: (+91) (731) 4001211/4001311. • **Jaipur:** A-19, First Floor, Main Sahakar Path, Near Sahakar Bhavan, Jaipur. Phone: (+91) (141) 331 3000. Fax: (+91) (141) 512 4899. • **Kochi:** Prestige TMS Square, 9th Floor, No. 2, Service Road, Padivattom, Edappally, Kochi, Kerala 682024. Phone: (+91) (484) 449 9000. Fax: (+91) (484) 449 9190. • **Lucknow:** 177/4, Faizabad Road, Near IT Metro Station, Lucknow – 226 007. Phone: (+91) (522) 403 4000. Fax: (+91) (522) 403 4004. • **Ludhiana:** Goshawk Rental Space Solutions Pvt Ltd, BXX-3369, Sandhu Tower 2, 2nd Floor, Gurdev Nagar, Ferozepur Road, Ludhiana – 141001. Phone: (+91) (161) 506 4000. • **Nagpur:** 219 Bajaj Nagar, 1st Floor, South Ambazari Road, Nagpur – 440 010. Phone: (+91) (712) 662 4000. Fax: (+91) (712) 662 4002. • **New Delhi:** Elegance Tower, 1st Floor, Jasola District Centre, New Delhi – 110 025. Phone: (+91) (11) 4149 4000. Fax: (+91) (11) 4149 4004/5. • **Patna:** The Hub, 2nd floor, Near Regent cinema, Gandhi Maidan Road, Patna – 800004. • **Pune:** 201/A, Nityanand Complex, 247/A Bund Garden Road, Pune – 411 001. Phone: (+91) (20) 4104 4000 / 2616 7230. Fax: (+91) (20) 4104 4001 / 2616 1342. • **Raipur:** MM Silver Plaza, Office No. 103, 1st Floor, Opp Udyog Bhavan, Ring Road No. 1, Raipur – 492 001. Phone: (+91) (771) 428 09000. • **Thane:** Blue Star Limited, Blue Star Innovation Centre, Next to Hotel Vihangs Inn, Kapurbavdi, Ghodbunder Road, Thane West – 400 607. Phone: (+91) (22) 3508 4000. Fax: (+91) (22) 3508 4334. • **Thiruvananthapuram:** TC IV/962, Chandrika, Sree Chitra Nagar, Pipe line Road, Kawdiar, Thiruvananthapuram – 695 003. Phone: (+91) (471) 243 5025. Fax: (+91) (471) 243 4065. • **Vadodara:** INCUSPAZE Office Spaces, 3rd Floor Alembic 1965, Alembic City, Gorwa-Alembic Road, Vadodara – 390003. Phone: (+91) (265) 661 4000 / 265 233 2021/22. Fax: (+91) (265) 233 7516. • **Vijayawada:** No 40–1–62, Nagas Hafeez Plaza, Opposite to grand modern supermarket, Near BENZ Circle, MG. Road, Vijayawada – 520 010. Phone: (+91) (866) 248 4004. Fax: (+91) (866) 248 4003. • **Visakhapatnam:** Qubexpro Business Centre, V Mall, Lifestyle Building, 4th Floor, Factor Layout, Waltair Uplands, Visakhapatnam – 530003. Phone: (+91) (0891) 6886705.



Blue Star products comply with RoHS regulations as per E-Waste (Management & Handling) Rules, 2016. For disposal of E-Waste, kindly visit our website www.bluestarindia.com or call our customer care 1800 209 1177 (Toll Free) or 1860 266 6666.

SUPERMARKET REFRIGERATION

Supermarkets have to make sure that the perishable items they store are in the best condition for human consumption by maintaining the cold and freezing temperatures. It's tough as even in the non-operating hours, the refrigerators have to function non-stop. Overall, supermarket refrigeration requires a great deal of expertise and quality control handling. And that's exactly where we come in.

Blue Star offers a cutting-edge range of models in supermarket refrigeration that are sustainable and known for consuming less power thanks to their smart design.

It's convenient, and has options like multi-decks, semi vertical multi-decks, serve over and self-service counter and island with multiplexing options can be easily integrated into any retail planogram. The clear and open design of the refrigerators allow customers to choose their produce and help simplify the supermarket business. Most importantly they ensure lasting freshness along with low energy bills thereby making Blue Star's Supermarket Refrigeration Range - the ideal choice for supermarkets.





MULTI-DECK CHILLERS AND FREEZERS

Blue Star's engineers and designers have kept the consumer's needs in mind to provide a whole range of Multi-Deck Chillers and Freezers that have a stunning design and perform exceptionally well.

The cabinets of this product are designed to be a perfect fit for small, medium and large stores.

This refrigeration product also reduces energy costs as they are equipped with energy-efficient technology.



MULTI-DECK CHILLERS WITH GLASS DOOR - PLUG IN

FEATURES



Wide flexible display area



Uniform cooling to keep the food fresh for longer hours



Designed for modular configuration



Tempered & low emissivity glass



LED on each shelf



Energy saving night blind



Price holder flap on each shelf

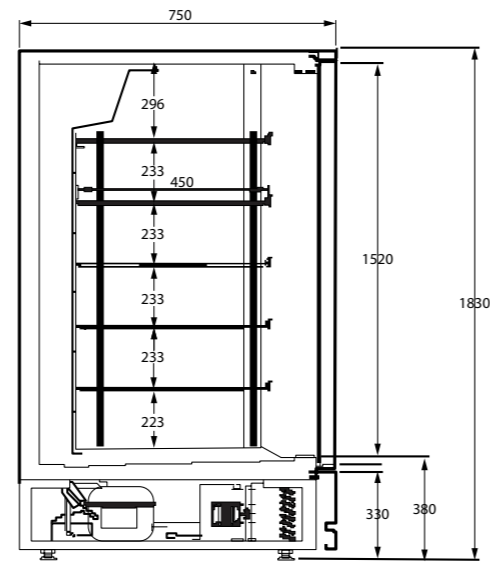


Available in different sizes (in feet): 3, 4, 6 & 8

TECHNICAL SPECIFICATION

| MODEL NUMBER | KORAL12CGDP | KORAL18CGDP | KORAL12FGDP | KORAL18FGDP |
|------------------------|--------------------|--------------------|--------------------|--------------------|
| Function | Chiller | Chiller | Freezer | Freezer |
| Size in ft | 4 | 6 | 4 | 6 |
| Temp Range°C | 1~7°C | 1~7°C | ≤-18°C | ≤-18°C |
| Voltage/Frequency | 220~240/50 1 Phase | 220~240/50 1 Phase | 220~240/50 1 Phase | 220~240/50 1 Phase |
| Refrigerant | R404a | R404a | R404a | R404a |
| Features | | | | |
| Price Ticket Strip | Yes | Yes | Yes | Yes |
| Door | Self Closing | Self Closing | Self Closing | Self Closing |
| Shelf | 5 Shelves | 5 Shelves | 5 Shelves | 5 Shelves |
| Side Panel | Metal+Foaming | Metal+Foaming | Metal+Foaming | Metal+Foaming |
| Light | Yes | Yes | Yes | Yes |
| Temp Display | Digital | Digital | Digital | Digital |
| Dimension(WxDxH) in mm | 1220x750x1930 | 1830x750x1930 | 1220x750x1930 | 1830x750x1930 |
| Weight in kg | 218 | 305 | 233 | 327 |

MULTI-DECK CHILLERS WITHOUT GLASS DOOR - PLUG IN



FEATURES



Tempered & low emissivity glass door



Keeps delicate Fruit, Dairy and Meat products fresh for longer hours



Energy saving, self closing glass doors



LED on each shelf



Available in different sizes (in feet): 2, 4 & 6



Electronic temperature control with digital display



Customised adjustable shelves



Price holder flap on each shelf



Door frame with silver handle



TECHNICAL SPECIFICATION

| MODEL NUMBER | KORAL12CFV/DL/MT | KORAL18CFV/DL/MT | KORAL25CFV/DL/MT |
|-------------------------|--------------------|--------------------|--------------------|
| Function | Chiller | Chiller | Chiller |
| Size in ft | 4.28 | 6.32 | 8.35 |
| Temp Range °C | 1°C To 10°C | 1°C To 10°C | 1°C To 10°C |
| Voltage/Frequency | 220~240/50 1 Phase | 220~240/50 1 Phase | 220~240/50 1 Phase |
| Refrigerant | R404a | R404a | R404a |
| Features | | | |
| Price Ticket Strip | Yes | Yes | Yes |
| Night Blind | Yes | Yes | Yes |
| Shelf | 4 Shelves | 4 Shelves | 4 Shelves |
| Side Panel | Tempered Glass | Tempered Glass | Tempered Glass |
| Light | Yes | Yes | Yes |
| Temp Display | Digital | Digital | Digital |
| Dimension (WxDxH) in mm | 1285x750x1930 | 1895x750x1930 | 2505x750x1930 |
| Weight in kg | 210 | 310 | 395 |



MULTI-DECK CHILLER WITHOUT GLASS DOOR - REMOTE

FEATURES



Large flexible display area



Uniform cooling to maintain the food fresh for longer hours



Designed for modular configuration



LED on each shelf



Electronic temperature control with digital display



Energy saving night blind



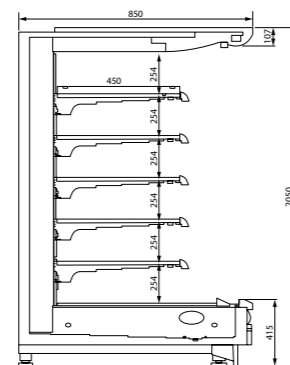
Customised adjustable shelves



Price holders flaps on each shelf



Available in different sizes (in feet): 3, 4, 6 & 8



TECHNICAL SPECIFICATION

| MODEL NUMBER | KORAL12CFV/DL/MTR | KORAL18CFV/DL/MTR | KORAL24CFV/DL/MTR | KORAL36CFV/DL/MTR |
|--------------------------------|---------------------|---------------------|---------------------|---------------------|
| Function | Remote | Remote | Remote | Remote |
| Size in ft | 4 | 6.25 | 8.33 | 12.5 |
| Temp Range °C | -1°C~7°C | -1°C~7°C | -1°C~7°C | -1°C~7°C |
| Voltage/Frequency | 220VAC~240VAC, 50Hz | 220VAC~240VAC, 50Hz | 220VAC~240VAC, 50Hz | 220VAC~240VAC, 50Hz |
| Rated Current [A] | 0.85 | 1.25 | 1.68 | 2.41 |
| Rated Power [W] | 187 | 275 | 370 | 531 |
| Refrigerant | R404a/R22 | R404a/R22 | R404a/R22 | R404a/R22 |
| Condenser Type | Copper | Copper | Copper | Copper |
| Evaporator Type | Copper+Fins | Copper+Fins | Copper+Fins | Copper+Fins |
| Cooling Type | Ventilated, Duct | Ventilated, Duct | Ventilated, Duct | Ventilated, Duct |
| Features | | | | |
| Price Ticket Strip | Yes | Yes | Yes | Yes |
| Shelf Type | 5 shelves | 5 shelves | 5 shelves | 5 shelves |
| Side Panel | Glass Door | Glass Door | Glass Door | Glass Door |
| Light | Yes | Yes | Yes | Yes |
| Night Blind | Yes | Yes | Yes | Yes |
| Temp Display | Digital | Digital | Digital | Digital |
| Colour Option | Multiple | Multiple | Multiple | Multiple |
| Product Dimension(W×D×H) in mm | 1250×850×2050 | 1875×850×2050 | 2500×850×2050 | 3750×850×2050 |
| Weight in kg | 150 | 230 | 300 | 425 |



PASTRY SHOWCASE

Blue Star's Pastry Showcase suits any environment without compromising on style and display area. Its unique design enhances the appearance of cookies, cakes, brownies and more items, and attracts the eyes of everyone who pass by. The showcase is also incorporated with advanced technology and comes with low emissivity tempered glass that offers greater display and a truly enviable product visibility with no frost formation on the glass.

PASTRY SHOWCASE

FEATURES



Tempered & low emissivity glass for unlimited visibility



4 castor wheels, 2 with brakes



3 Nos. glass shelves



Brilliant LED lighting



Ventilated refrigeration for uniform cooling



Available in different sizes (in feet): 3,4,5,6



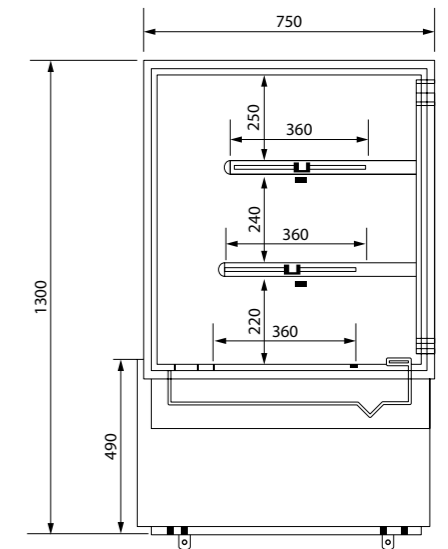
Consumes less energy



Elegant finish

TECHNICAL SPECIFICATIONS

| Description | KORAL 09CSQP | KORAL 12CSQP | KORAL 16CSQP | KORAL 18CSQP |
|-------------------------|---------------------|---------------------|---------------------|---------------------|
| Function | Chiller | Chiller | Chiller | Chiller |
| Structure | Square | Square | Square | Square |
| Size In Ft | 3 | 4 | 5 | 6 |
| Temp Range °C | 2°C~+8°C | 2°C~+8°C | 2°C~+8°C | 2°C~+8°C |
| Voltage/frequency | 220VAC~240VAC, 50Hz | 220VAC~240VAC, 50Hz | 220VAC~240VAC, 50Hz | 220VAC~240VAC, 50Hz |
| Refrigerant | R290 | R290 | R290 | R290 |
| Castor Wheels | Yes | Yes | Yes | Yes |
| Inner Material | SS201 - Food Safe | SS201 - Food Safe | SS201 - Food Safe | SS201 - Food Safe |
| Shelf Nos. | 3 | 3 | 3 | 3 |
| Side Panel | Tempered Glass | Tempered Glass | Tempered Glass | Tempered Glass |
| Marble Base | Optional | Optional | Optional | Optional |
| Light | Yes | Yes | Yes | Yes |
| Dimension (WxDxH) In mm | 900x750x1200 | 1200x750x1200 | 1500x750x1200 | 1800x750x1200 |
| Weight In Kg | 130 | 167 | 204 | 240 |













SERVE OVER COUNTER

Blue Star's serve over counters are versatile and perfect for the presentation of fast moving items like dairy products, meat and fish. Its inner cabinet is made of food grade steel to preserve the food material for a longer time. It also has an LED light to enhance the look of the products and comes with different temperature settings for different storage applications. Never before has there been such an innovative concept in the refrigeration category. It's a fully-customised refrigerated cabinet technology that minimises the structural measures through heat recovery and reduces operating costs to a previously unachievable minimum, making these counters a sure bet to increase sales.









SERVE OVER-KORAL

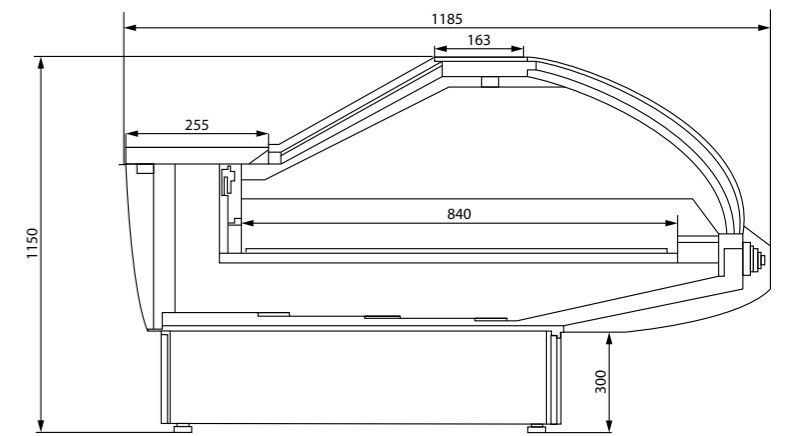


FEATURES

-  Uniform cooling across the display area
-  Adjustable temperature setting for assorted products
-  Interior LED lighting
-  Available in different sizes (in feet): 4, 6, 8 & 12
-  Electronic temperature display
-  Inner cabinet made of food grade steel
-  Automatic defrost
-  Canopy sliding glass

FEATURES

-  Ventilated refrigeration
-  Electronic temperature display
-  Auto stop compressor defrosting
-  Interior LED lighting
-  Rear closing system with self-rolling glass
-  Inner cabinet food grade steel
-  Canopy sliding glass
-  Available in different sizes (in feet): 4, 6, 8 & 12





TECHNICAL SPECIFICATIONS

| MODEL NUMBER | SOC4WC | KORAL36CSECP |
|------------------------|---------------------|---------------------|
| Function | Chiller | Chiller |
| Size in ft | 4.5 | 12.8 |
| Temp Range °C | -1~5 °C | -1~5 °C |
| Voltage/Frequency | 220VAC~240VAC, 50Hz | 220VAC~240VAC, 50Hz |
| Refrigerant | R404a | R404a |
| Cooling Type | Ventilated | Ventilated |
| Features | | |
| Glass Canopy & Support | Yes, 4 nos. | Yes, 4 nos. |
| Side Panel | Tempered Glass | Tempered Glass |
| Light | Yes | Yes |
| Temp Display | Digital | Digital |
| Dimension(WxDxH) in mm | 1350×1185×1150 | 3850×1185×1150 |
| Weight in kg | 178 | 350 |



ISLAND FREEZER - KORAL

Blue Star's Island Freezer is an ideal choice for retail applications where high-end product display is essential for better presentation, impulse buying or simply to complement the aesthetics of the interiors. In all its different arrangement variants, the Blue Star Island model range offers elegant styling, and thanks to its innovatively designed glass side panels, it is sure to get your customers even more in the mood to buy. With the smooth sliding lid offering the maximum view of the products inside, there's nothing to stand in the way of good sales figures.

FEATURES



Overhead glass cover & sliding door



Glass door with sliding top and bottom



LED display



Adjustable temperature setting for different products



Electronic temperature control with display



Caster wheels with locks



Wide display area with four side tempered glass



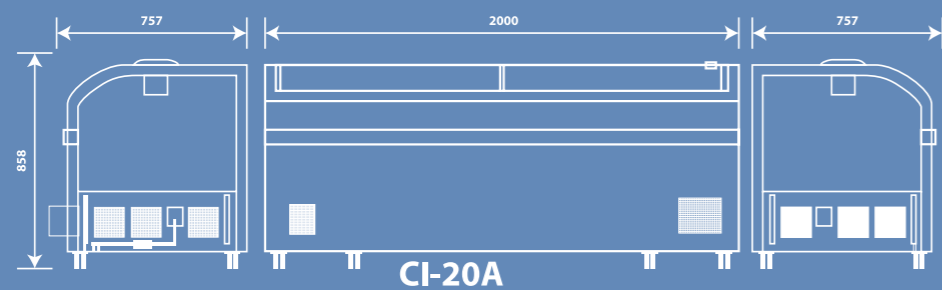
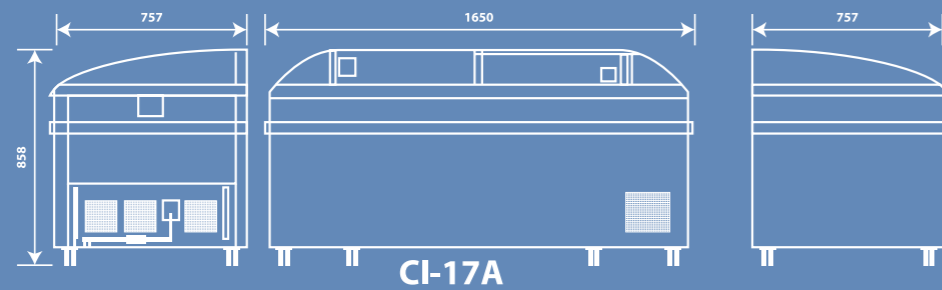
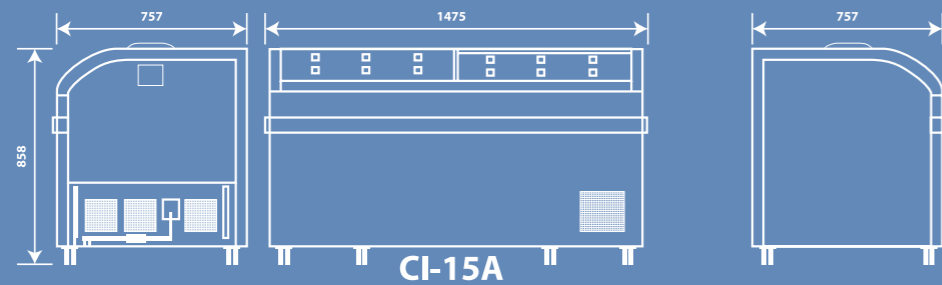
Copper condenser and evaporator



Double air curtain and high cooling efficiency



Available in different colours and sizes



TECHNICAL SPECIFICATIONS

| MODEL NUMBER | BILF 19AEN | BILF 20AEN | BILF500D |
|------------------------|---------------------------|---------------------------|-------------------------|
| Function | Freezer | Freezer | Freezer |
| Size in ft | 6.3 | 6.6 | 4.1 |
| Temp Range °C | -18 °C | -18 °C | -18 °C |
| Gross capacity in Ltrs | 790 | 890 | 500 |
| Voltage/Frequency | 220VAC~240VAC, 50Hz | 220VAC~240VAC, 50Hz | 220V/50Hz |
| Refrigerant | R290 | R290 | R290 |
| Cooling Type | Ventilated | Ventilated | Static |
| Features | | | |
| Inner Tank | Prepainted Steel | Prepainted Steel | Prepainted Steel |
| Basket Available | Yes | Yes | Yes |
| Caster Wheels | 6 nos. | 6 nos. | 4 nos. |
| Glass Cover Assembly | Curved Glass, Step Bottom | Curved Glass, Step Bottom | Low height Curved Glass |
| Top Glass Sliding | Top-Bottom | Top-Bottom | Yes |
| Light | Yes | Yes | Yes |
| Temp Display | Digital | Digital | Analog |
| Dimension(WxDxH) in mm | 1915x890x820 | 2000x890x880 | 1475x757x867 |
| Weight in kg | 113 | 139 | 95 |

Note: Technical specifications are subject to change due to continuous product development.

