

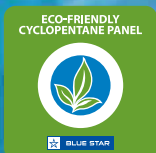


WORKS FOR NATURE.

WORKS FOR YOU.



ECO-FRIENDLY GREEN PANELS WITH
CYCLOPENTANE PUF INSULATION



Blue Star is India's leading airconditioning and refrigeration company with over 7 decades of experience in providing commercial refrigeration solutions of every kind. With products designed, developed and manufactured at five state-of-the-art plants across India, and supported in every corner of the country through 23 offices and over 500 dealerships.

The company is known for its innovation and technological leadership and has introduced many cutting-edge products and solutions into the Indian marketplace which offer higher efficiency, better performance and more reliability-factors that matter most to the customer.

Blue Star also ensures that every new solution it brings to the marketplace is em-friendly and green, and contributes to a sustainable future of reduced global warming and zero ozone depletion. The introduction of the em-friendly R410a refrigerant in most of its airconditioning solutions, for example, goes a long way in helping the country meet its obligations to reduce the use of HFCs under the Montreal Protocol.

The company now introduces em-friendly pre-fabricated insulation panel systems in a range of profiles, thicknesses, and finishes. The speciality of these panels is that, they are perfect for the speedy creation of cold stores of any size at the site due to their precise interlocking design and great insulation properties, and are also eco-friendly both in their material and in their manufacturing process itself.

These new eco-friendly panel solutions from Blue Star can be used to create cold storages of any size, from small walk-ins to very large cold rooms.





The Perfect Cold Room

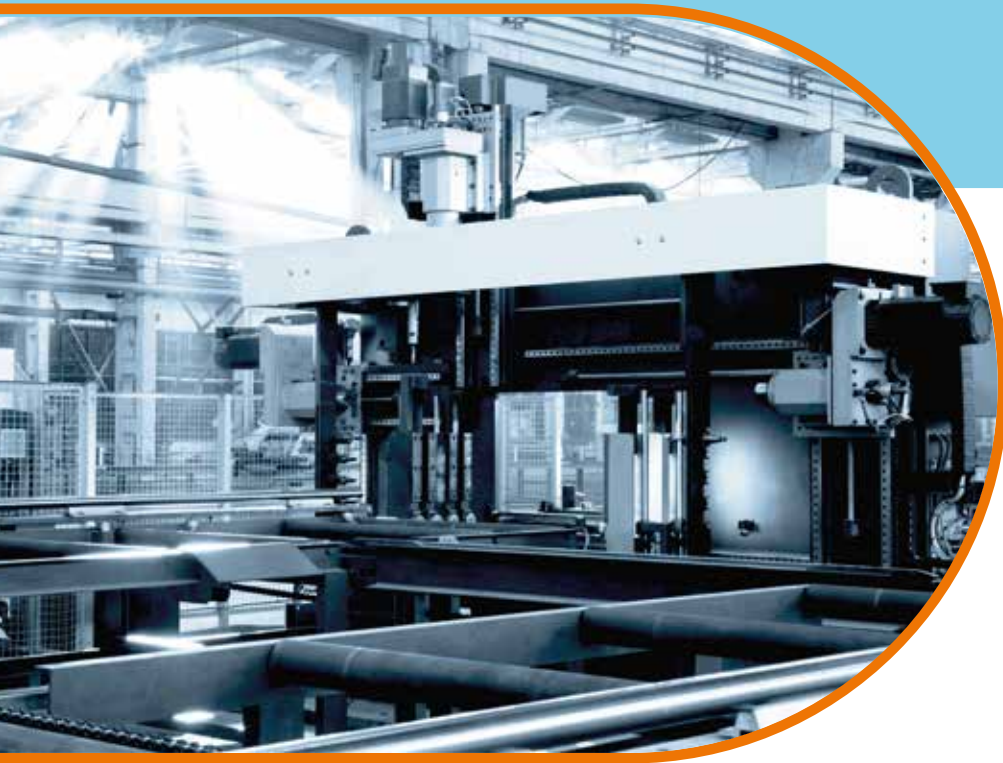
A cold storage is a critical piece of infrastructure for any industry. The quality of stored produce and raw material depend upon the reliable and precise functioning of the cold storage.

Blue Star's experience in creating cold storages that offer different storage conditions in terms of temperature, humidity, fresh air, air Aow, etc., to suit different industry requirements has made them the leaders in this domain too.

The company's engineers plan and design cold rooms based on advanced heat load calculations using internationally acclaimed softwares thus building your desired cold room with precision.

Blue Star's Cold Storage Division's domain expertise extends across a wide spectrum of industries that includes:

Agro Industry	Healthcare	Meat Processing
Cold Chains	Horticulture	Pharmaceuticals
Dairy	Hotels & Restaurants	Ripening Chambers
Floriculture	Ice Cream	R&D Labs
Food Processing	Industrial Canteens	Sea Food



Pre-fabricated from Blue Star

Panels

Blue Star's new range of pre-fabricated insulation panel systems are easy-to-use interlocking panels that can be used to create cold rooms of any size at the site.

Since the insulation material in these panels is foamed between two metal skins, they offer highly effective insulation for cold rooms.

What's more, these panels are designed to ensure precision interlocking and hence they form leak-free walls ideal for cold rooms.

Manufactured in a wide range of profiles, thicknesses and finishes, these systems can be used to create cold stores at the site and of any size - from small walk-ins to very large cold rooms.

Doors

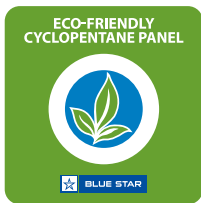
Blue Star offers a complete range of insulated doors to complement its world-class environment-friendly PUF panels.

The polyurethane foam insulation sandwiched between GI sheets makes the doors perfect for high-performance cold rooms.

- Self-closing: Ensures that the door remains closed without any human interaction
- Safety release: Doors can be opened from inside
- View port: Helps view products stored inside without opening the door, which is not just for convenience but for power saving too.

- Posi Seal: Provides perfect alignment of frames and ensures perfect closing movement
- Sweep gasket: Air-tight heavy-duty sealing gasket below the door remains flexible at any temperature
- Thermal break: Eliminates thermal conductivity which otherwise leads to condensation and ice formation

An Eco-friendly DNA



Panel
Systems

Blue Star's new range of pre-fabricated insulation panels are em-friendly from the ground-up since even the manufacturing process is green.

Cyclopentane: The eco-friendly blowing agent

Cyclopentane is increasingly becoming an industry standard the world over as an em-friendly blowing agent. Blue Star has also invested in using cyclopentane as the blowing agent in the manufacture of its new series of insulation panels. This makes the panels 'green' even in their manufacturing process, and further underlines Blue Star's commitment to a greener tomorrow.

This ensures zero Ozone Depleting Potential (ODP) and reduces Global Warming Potential (GWP) as compared to the more generally used HCFC-141 b which is not environment friendly.



Why cyclopentane

- ODP (Ozone depletion potential): 0
- GWP (Global Warming Potential): Negligible (11)
- Complies with TUV standards, CCOE (India) certification

Blue Star's commitment to a healthy environment is thus further reinforced by this investment in a cyclopentane process, which not only ensures superior yet environmentally friendly products, but also supports India's obligations under the Montreal Protocol on 'Substances that Deplete the Ozone Layer'.

Cyclopentane vs Conventional HCFC-141 b :

S.N	Particulars	HCFC 141b	Cyclopentane
1	GWP (Global-warming potential)	630	11
2	ODP (Ozone-Depletion Potential)	0.11	0
3	Fire retardant property	Self-extinguishing	Self-extinguishing

CFC and HCFC-free polyurethane

The insulation material used within Blue Star's new range of pre-fab panel systems is also em-friendly, being made of CFC/HCFC-free polyurethane.

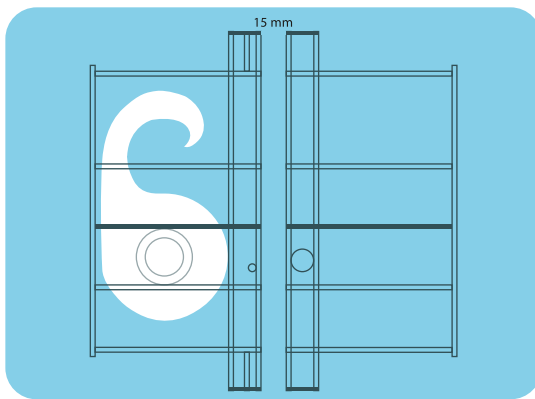
This is in accordance with India's obligations under the Montreal Protocol on 'Substances that Deplete the Ozone Layer', which the 'Ozone Cell' (specially created within the Ministry of Environment, Govt of India) is driving under the 'HCFC Phase Out Management Plan (HPMP) Stage 1 B'.

Facilities aiming to become green buildings will find these panels ideal for their LEED certification process.

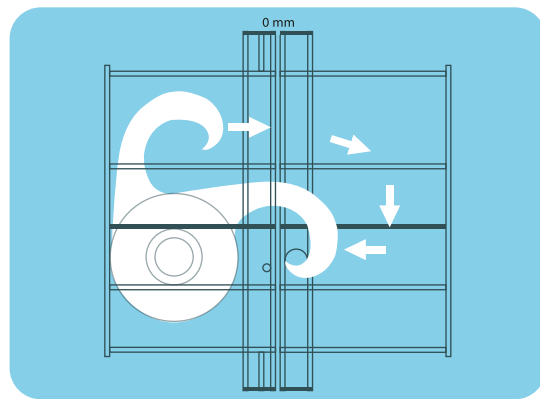
Precision Locking Mechanism

Each Blue Star pre-fab insulation panel has cam-action locking devices precisely positioned and firmly anchored within it. All cam-locks have integral rear flanges to permanently anchor their position during the manufacture of the PUF panels. Cam-locks are also placed at exact matching locations on the tongue and groove side to ensure perfect locking.

All cam-locks are accessible from the inside by means of a hex wrench furnished with the panels. Access ports for cam-locks are covered with snap-in cap plugs that must be snapped out before accessing the cam-locks thus making them tamper-proof.



BEFORE LOCKING THE PANELS



AFTER LOCKING THE PANELS

Technical Specification

SR.NO	Description	General Specifications
1	PUF Panel Thickness	60/80/100/127 1150mm
2	PUF Panel Cover	PP or SS
3	Sheet Metal Thickness	0.4/0.5mm
4	Temperature Range	-40°C to 80°C
5	PUF Blowing Agent	Cyclopentane (C5) - (CFC & HCFC free)
6	Lock Arrangement	Cam-Lock with metal plunger
7	PUF Density	40Kg/m ³ ±2Kg/m ³
8	K- value (w/m °K)	0.021 - 0.023
9	Panel Length	upto 11.5m
10	Panel Width	11.5/ 23/ 34.5 / 46 inches
11	Panel Joint	Tongue & Groove joint
12	Panel to Panel Fitment	The gap between two fitted panels < 3 mm

Features & Benefits



PUF insulation core ensures excellent K factor



High density polyurethane offers better strength



Perfect joints eliminate air leakages



Effective thermal insulation results in negligible thermal conductivity



Suitable for a wide temperature range of -40°C to +80°C



In case of fire, stops burning when source of fire is removed



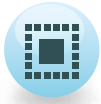
Occupies less space due to efficient insulation



Eco-friendly blowing agent cyclopentane used



Modular construction resulting in faster installation



Easily expandable to larger sizes



Available in stainless steel and pre-painted GI



Thickness range from 60mm to 150mm



90° corner panels to ensure stability

Wide Range of Refrigeration Units

Blue Star offers a wide range of both evaporating and condensing units. It includes both air-cooled and water-cooled condensers, with technology from the world leaders.

Depending on the application, different temperature zones need to be maintained:

Low (-23 °C to -5 °C), Medium (-5 °C to +2 °C), High (+2 °C to +15 °C)

Evaporating units

Blue Star's evaporating units are compact, slim and sleek, so they occupy minimum space ensuring maximum storage space. Other features include:



Stainless steel body and excellent corrosion resistance



Inner grooved copper tubes for superior heat transfer



In-built defrost heaters for low-temperature units



External rotor driven fans with low noise levels



Removable side panels for easy service



Condensing Units

These units are characterised by high-efficiency heat transfer and low power consumption. Other features includes:



Energy-efficient scroll and reciprocating compressors



UV and corrosion resistance



Filter drier for moisture and dirt protection



Pre-charged unit with service valves



In-built safety and control devices



Weather-proof polyster powder coated canopy



Microprocessor Controller and Power Panel

Blue Star's refrigeration units come with intelligent microprocessor-powered controllers which are BMS compatible and HACCP provisioned (available in select models).

Ready-to-use power panels which make electrical connections simple, safe, fast and long-lasting are available with every refrigeration unit. Other features of power panels are:

- Powder-coated weather-proof housing
- Protection against common electrical failures
- Interlock of safety features

Perfect Installations

Without carefully executed installations, the efficiency and reliability of a cold room can be compromised. Hence Blue Star's engineers are equipped with latest technology and knowledge thus carrying out precise installations. Example checks considered by them are:

- The location of the evaporator within the cold room for uniform cooling and air distribution
- Level Flooring (0-0 level) to avoid misalignment of walls
- Proper selection of copper parts and pipe sizes
- Minimising bends and unduly long runs

After Sales Support

Blue Star is well known for its excellent service support in the entire industry. Cold room dealers based in different locations will help you with perfect installations and Blue Star will ensure after sales support and availability of genuine parts at all times to avoid down time of your project.



Widest Range Of Products



VRF Systems



Condensing Units



Water-Cooled Screw Chillers
Configured Series



Turbojet Cool



Packaged ACs & Ducted Splits



Turbochor Chillers



Air cooled & Water cooled
VFD Screw Chillers



Air-Cooled Configured Screw
Chiller - High Efficiency Series



Air Cooled and
Water Cooled Scroll Chillers



Inverter scroll chillers



Process Chillers



Water Cooled Falling Film
Screw Chillers

For more information, Please contact:



BLUE STAR

EXPERTS IN COOLING

UAE:

BLUE STAR INTERNATIONAL FZCO
Office # 520, 5th Floor, Building E-3, Dubai Airport Freezone, UAE
P.O Box 293719, Phone: +971 4 230 6900 | Email: exports@bluestarindia.com

BLUE STAR SYSTEM AND SOLUTION LLC,
Airport Road, Dubai, UAE
P.O Box 239869, Phone: +971 4 230 6999 | Email: bluestarss@bluestarindia.com

QATAR:

BLUE STAR QATAR WLL
Doha, State of Qatar-47242, Phone: +974 4458 2271 | Email: sales@bluestarqatar.com

INDIA:

BLUE STAR LIMITED
Blue Star Innovation Centre, Next to Vihang's Inn Hotel,
Kapurbawadi, Ghodbunder Road, Thane West - 400607, Phone: +912267924000
Email: exports@bluestarindia.com

Authorised Distributor