



BLUE STAR

**SUPER  
MARKET**  
REFRIGERATION

REFRIGERATION SOLUTIONS TO HELP  
YOUR BUSINESS DO BETTER.



## SUPERMARKET REFRIGERATION

Supermarkets have to make sure that the perishable items they store are in the best condition for human consumption by maintaining the cooling and freezing temperatures. It's tough as even in the non-operating hours, the refrigerators have to function non-stop. Overall, supermarket refrigeration requires a great deal of expertise and quality control handling. And that's exactly where we come in.

Blue Star offers a cutting-edge range of models in supermarket refrigeration that are sustainable and known for consuming less power thanks to their smart design.

It's convenient, and has options like multi-decks, semi vertical multi-decks, serve over and self-service counter and island with multiplexing options can be easily integrated into any retail planogram. The clear and open design of the refrigerators allow customers to choose their products and help simplify the supermarket business. Most importantly they ensure lasting freshness along with low energy bills thereby making Blue Star's Supermarket Refrigeration Range - the ideal choice for supermarkets.







 BLUE STAR

## MULTI-DECK CHILLERS AND FREEZERS

Blue Star's engineers and designers have kept the consumer's needs in mind to provide a whole range Multi-Deck Chillers and Freezers that have a stunning design and perform exceptionally well.

The cabinets of this product are designed to be a perfect fit for small, medium and large stores.

This refrigeration product also reduces energy costs as they are equipped with energy-efficient technology.



## MULTI-DECK CHILLERS WITHOUT GLASS DOOR - PLUG IN

### FEATURES



Wide flexible display area



Uniform cooling to keep the food fresh for longer hours



Designed for modular configuration



Tempered & low emissivity glass



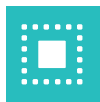
LED on each shelf



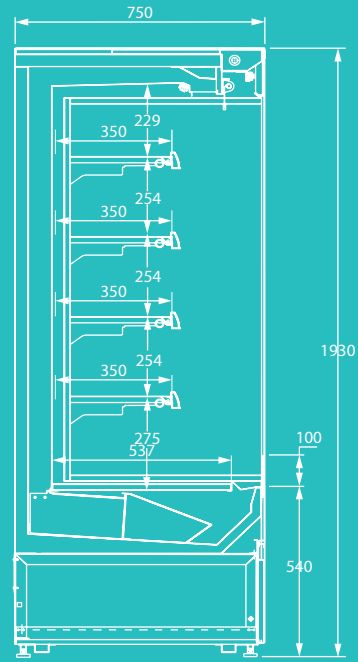
Energy saving night blind



Price holder flap on each shelf



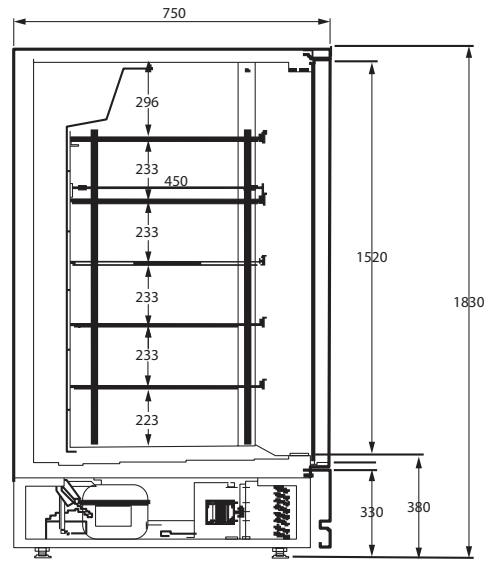
Available in different sizes (in feet): 3, 4, 6 & 8



## TECHNICAL SPECIFICATION

MODEL NUMBER	KORAL10CFV/DL/MT	KORAL12CFV/DL/MT	KORAL18CFV/DL/MT	KORAL25CFV/DL/MT
Function	Chiller	Chiller	Chiller	Chiller
Size in ft	3.28	4.28	6.32	8.35
Temp Range °C	1°C To 10°C	1°C To 10°C	1°C To 10°C	1°C To 10°C
Voltage/Frequency	220~240/50 1 Phase	220~240/50 1 Phase	220~240/50 1 Phase	220~240/50 1 Phase
Refrigerant	R404a	R404a	R404a	R404a
<b>Features</b>				
Price Ticket Strip	Yes	Yes	Yes	Yes
Night Blind	Yes	Yes	Yes	Yes
Shelf	4 Shelves	4 Shelves	4 Shelves	4 Shelves
Side Panel	Tempered Glass	Tempered Glass	Tempered Glass	Tempered Glass
Light	Yes	Yes	Yes	Yes
Temp Display	Digital	Digital	Digital	Digital
Dimension (WxDxH) in mm	985×750×1930	1285×750×1930	1895×750×1930	2505×750×1930
Weight in kg	180	210	310	395

# MULTI-DECK CHILLERS WITH GLASS DOOR - PLUG IN





## FEATURES



Tempered & Low emissivity Glass Door



Electronic temperature control with digital display



Keeps delicate Fruit, Dairy and Meat products fresh for longer hours



Customized adjustable shelves



Energy saving, self closing glass doors



Price holder Flap on each shelf



LED on each shelf



Door frame with silver handle



Available in different sizes (in feet): 2, 4 & 6

## TECHNICAL SPECIFICATION

MODEL NUMBER	KORAL12CGDP	KORAL18CGDP	KORAL10FGDP	KORAL12FGDP	KORAL18FGDP
Function	Chiller	Chiller	Freezer	Freezer	Freezer
Size in ft	4	6	2	4	6
Temp Range <sup>o</sup> c	1~7 <sup>o</sup> C	1~7 <sup>o</sup> C	≤-18 <sup>o</sup> C	≤-18 <sup>o</sup> C	≤-18 <sup>o</sup> C
Voltage/Frequency	220~240/50 1 Phase	220~240/50 1 Phase	220~240/50 1 Phase	220~240/50 1 Phase	220~240/50 1 Phase
Refrigerant	R404A	R404A	R404A	R404A	R404A
<b>Features</b>					
Price Ticket Strip	Yes	Yes	Yes	Yes	Yes
Door	Self Closing	Self Closing	Self Closing	Self Closing	Self Closing
Shelf	5 Shelves	5 Shelves	5 Shelves	5 Shelves	5 Shelves
Side Panel	Metal+Foaming	Metal+Foaming	Metal+Foaming	Metal+Foaming	Metal+Foaming
Light	Yes	Yes	Yes	Yes	Yes
Temp Display	Digital	Digital	Digital	Digital	Digital
Dimension(W×D×H) in mm	1220×750×1930	1830×750×1930	610×750×1930	1220×750×1930	1830×750×1930
Weight in kg	218	305	135	233	327



## MULTI-DECK CHILLER WITHOUT GLASS DOOR - REMOTE

### FEATURES



Large flexible display area



Uniform cooling to keep the food fresh for longer hours



Designed for modular configuration



LED on each shelf



Electronic temperature control with digital display



Energy saving night blind



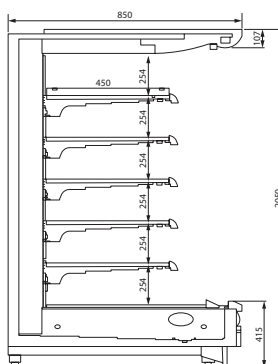
Customised adjustable Shelves



Price holders flaps on each shelf



Available in different sizes (in feet): 4,6,8,12





## TECHNICAL SPECIFICATION

MODEL NUMBER	KORAL12CFV/DL/MTR	KORAL18CFV/DL/MTR	KORAL24CFV/DL/MTR	KORAL36CFV/DL/MTR
Function	Remote	Remote	Remote	Remote
Size in ft	4	6.25	8.33	12.5
Temp Range °C	-1°C~7°C	-1°C~7°C	-1°C~7°C	-1°C~7°C
Voltage/Frequency	220VAC~240VAC, 50Hz	220VAC~240VAC, 50Hz	220VAC~240VAC, 50Hz	220VAC~240VAC, 50Hz
Rated Current [A]	0.85	1.25	1.68	2.41
Rated Power [W]	187	275	370	531
Refrigerant	R404a/R22	R404a/R22	R404a/R22	R404a/R22
<b>Features</b>				
Price Ticket Strip	Yes	Yes	Yes	Yes
Shelf Type	5shelves	5shelves	5shelves	5shelves
Side Panel	Glass Door	Glass Door	Glass Door	Glass Door
Light	Yes	Yes	Yes	Yes
Night Blind	Yes	Yes	Yes	Yes
Temp Display	Digital	Digital	Digital	Digital
Colour Option	Multiple	Multiple	Multiple	Multiple
Product Dimension(WxDxH) in mm	1250×850×2050	1875×850×2050	2500×850×2050	3750×850×2050
Weight in kg	150	230	300	425



## MULTI-DECK CHILLERS WITH GLASS DOOR - REMOTE

### FEATURES



Tempered & low emissivity glass door



Price holder flap on each shelf



Uniform cooling to maintain the food fresh for longer hours



Available in different sizes (in feet): 4,5,6,10



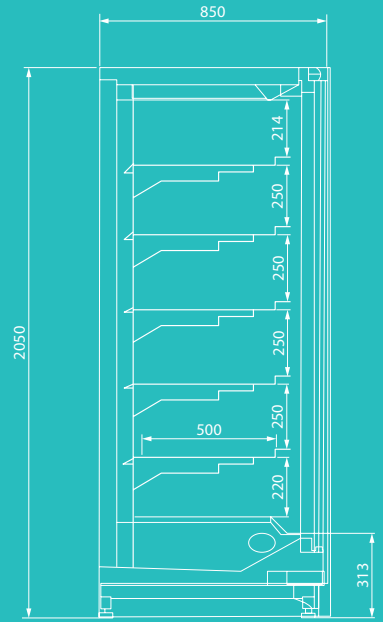
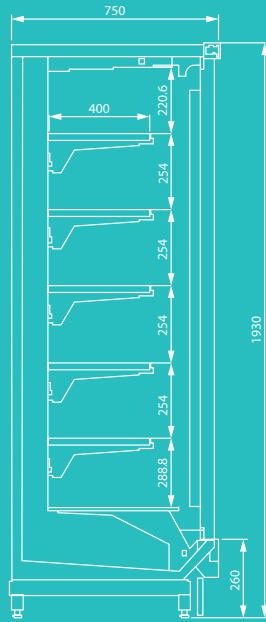
LED on each shelf



Lowered front to improve visibility and display space



Designed for modular configuration



## TECHNICAL SPECIFICATIONS

MODEL NUMBER	KORAL12CGDSR	KORAL18CGDSR	KORAL15CGDGR	KORAL22CGDGR	KORAL30CGDGR
Function	Remote	Remote	Remote	Remote	Remote
Size in ft	4	6	5	7.5	10
Temp Range °C	-1°C~7°C	-1°C~7°C	0°C~+10°C	0°C~+10°C	0°C~+10°C
Voltage/Frequency	220VAC~240VAC, 50Hz	220VAC~240VAC, 50Hz	220VAC~240VAC, 50Hz	220VAC~240VAC, 50Hz	220VAC~240VAC, 50Hz
Rated Current [A]	1.18	1.7	3	4	4.5
Rated Power [W]	260	371	100	140	180
Refrigerant	R404a/R22	R404a/R22	R404a/R22	R404a/R22	R404a/R22
<b>Features</b>					
Price Ticket Strip	Yes	Yes	Yes	Yes	Yes
Shelf Type	5 Shelves	5 Shelves	5 Shelves	5 Shelves	5 Shelves
Glass Door	Yes	Yes	Yes	Yes	Yes
Side Panel	Solid Panel	Solid Panel	Glass	Glass	Glass
Light	Yes	Yes	Yes	Yes	Yes
Temp Display	Digital	Digital	Digital	Digital	Digital
Dimension(WxDxH) in mm	1180×750×1930	1770×750×1930	1500×850×2050	2250×850×2050	3000×850×2050
Weight in kg	165	245	100	160	220







## PASTRY SHOW CASE

Blue Star's Pastry Showcase suits any environment without compromising on style and display area. Its unique design enhances the appearance of cookies, cakes, brownies and more items, and attracts the eyes of everyone who pass by. The showcase is also incorporated with most advanced technology and comes with tempered and low emissivity glass that offer greater display capacity and a truly enviable product visibility with no frost formation on the glass.

# PASTRY SHOW CASE

## FEATURES



Tempered & low emissivity glass for unlimited visibility



3 Nos. glass shelves



Ventilated air circulation keeps delicate cake and pastry fresh for longer hours



Consume less energy



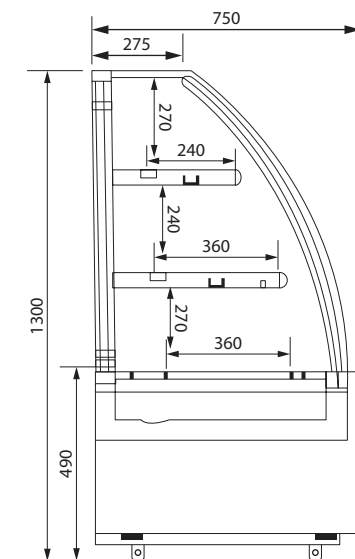
Caster wheels



LED light for proper visibility

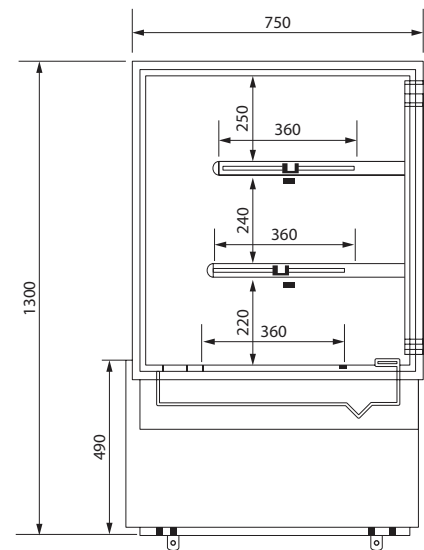


Available in different sizes (in feet): 4, 5 & 6



## TECHNICAL SPECIFICATIONS

MODEL NUMBER	KORAL 12CARP	KORAL 16CARP	KORAL 18CARP	KORAL 12CSQP	KORAL 16CSQP	KORAL 18CSQP
Function	Chiller	Chiller	Chiller	Chiller	Chiller	Chiller
Structure	Arc	Arc	Arc	Square	Square	Square
Size in ft	4	5	6	4	5	6
Temp Range °C	2°C~+8°C	2°C~+8°C	2°C~+8°C	2°C~+8°C	2°C~+8°C	2°C~+8°C
Voltage/Frequency	220VAC~240VAC, 50Hz	220VAC~240VAC, 50Hz	220VAC~240VAC, 50Hz	220VAC~240VAC, 50Hz	220VAC~240VAC, 50Hz	220VAC~240VAC, 50Hz
Refrigerant	R290	R290	R290	R290	R290	R290
<b>Features</b>						
Caster Wheels	Yes	Yes	Yes	Yes	Yes	Yes
Inner Material	SS201 - Food Safe	SS201 - Food Safe	SS201 - Food Safe	SS201 - Food Safe	SS201 - Food Safe	SS201 - Food Safe
Shelf	3 Shelves	3 Shelves	3 Shelves	3 Shelves	3 Shelves	3 Shelves
Side Panel	Tempered Glass	Tempered Glass	Tempered Glass	Tempered Glass	Tempered Glass	Tempered Glass
Marble Base	Optional	Optional	Optional	Optional	Optional	Optional
Light	Yes	Yes	Yes	Yes	Yes	Yes
Temp Display	Yes	Yes	Yes	Yes	Yes	Yes
Colour Option	Multiple	Multiple	Multiple	Multiple	Multiple	Multiple
Product Dimension(WxDxH) in mm	1200×750×1300	1500×750×1300	1800×750×1300	1200×750×1300	1500×750×1300	1800×750×1300
Weight in kg	148	178	210	172	209	245







## SERVE OVER COUNTER

Blue Star's serve over counters are versatile and perfect for the presentation of fast moving items like dairy products, meat and fish. Its inner cabinet is made of food grade steel to preserve the food material for a longer time. It also has an LED light to enhance the look of the products and comes with different temperature settings for different storage applications. Never before has there been such an innovative concept in the refrigeration category. It's a fully-customised refrigerated cabinet technology that minimises the structural measures through heat recovery and reduces operating costs to a previously unachievable minimum, making these counters a sure bet to increase sales.

# SERVE OVER-KORAL



## FEATURES



Uniform cooling across the display area



Adjustable temperature setting for assorted products



Interior LED lighting



Available in different sizes (in feet): 4, 6, 8 & 12



Electronic temperature display



Inner cabinet made of food grade steel



Automatic defrost



Canopy sliding glass



## FEATURES



Ventilated refrigeration



Electronic temperature display



Auto stop compressor defrosting



Available in different sizes  
(in feet): 4, 6, 8 & 12



Interior LED lighting



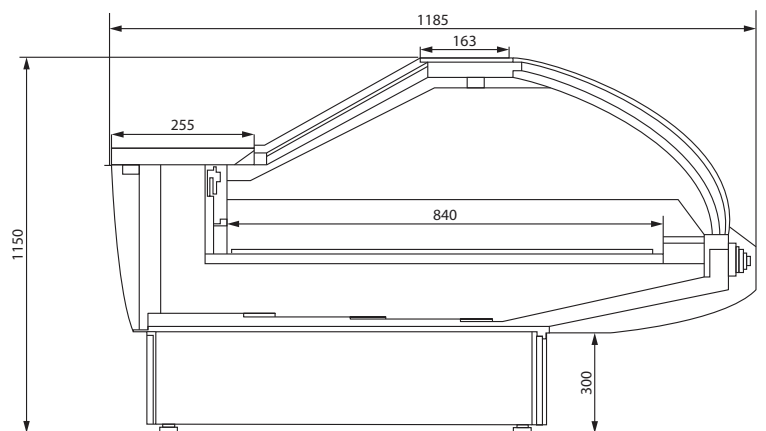
Rear closing system  
with self-rolling glass



Inner cabinet food  
grade steel



Canopy sliding glass







## TECHNICAL SPECIFICATIONS

MODEL NUMBER	KORAL12CSEP	KORAL18CSEP	KORAL24CSEP	KORAL36CSEP	KORAL12CSECP	KORAL18CSECP	KORAL24CSECP	KORAL36CSECP
Function	Chiller	Chiller	Chiller	Chiller	Chiller	Chiller	Chiller	Chiller
Size in ft	4.5	6.5	8.6	12.8	4.5	6.5	8.6	12.8
Temp Range °C	-1~5 °C	-1~5 °C	-1~5 °C	-1~5 °C	-1~5 °C	-1~5 °C	-1~5 °C	-1~5 °C
Voltage/Frequency	220VAC~240VAC, 50Hz	220VAC~240VAC, 50Hz	220VAC~240VAC, 50Hz	220VAC~240VAC, 50Hz	220VAC~240VAC, 50Hz	220VAC~240VAC, 50Hz	220VAC~240VAC, 50Hz	220VAC~240VAC, 50Hz
Refrigerant	R404a	R404a	R404a	R404a	R404a	R404a	R404a	R404a
Cooling Type	Static	Static	Static	Static	Ventilated	Ventilated	Ventilated	Ventilated
<b>Features</b>								
Glass Canopy & Support	No	No	No	No	Yes, 4no.s	Yes, 4no.s	Yes, 4no.s	Yes, 4no.s
Side Panel	Tempered Glass	Tempered Glass	Tempered Glass	Tempered Glass	Tempered Glass	Tempered Glass	Tempered Glass	Tempered Glass
Light	Yes	Yes	Yes	Yes	Yes	Yes	Yes	Yes
Temp Display	Digital	Digital	Digital	Digital	Digital	Digital	Digital	Digital
Dimension(WxDxH) in mm	1350×185×880	1975×1185×880	2600×1185×880	3850×1185×880	1350×1185×1150	1975×1185×1150	2600×1185×1150	3850×1185×1150
Weight in kg	110	170	210	310	178	214	260	350



## ISLAND FREEZER - KORAL

Blue Star's Island Freezer is an ideal choice for retail applications where high-end product display is essential for better presentation, impulse buying or simply to complement the aesthetics of the interiors. In all its different arrangement variants, the Blue Star Island model range offers elegant styling, and thanks to its innovatively designed glass side panels it is sure to get your customers even more in the mood to buy. With the smooth sliding lid offering the maximum view of the products inside, there's nothing to stand in the way of good sales figures.



## FEATURES



Overhead glass cover & sliding door



Glass door with sliding top and bottom



LED display



Adjustable temperature setting for different products



Electronic temperature control with display



Caster wheels with locks



Wide display area with four side tempered glass



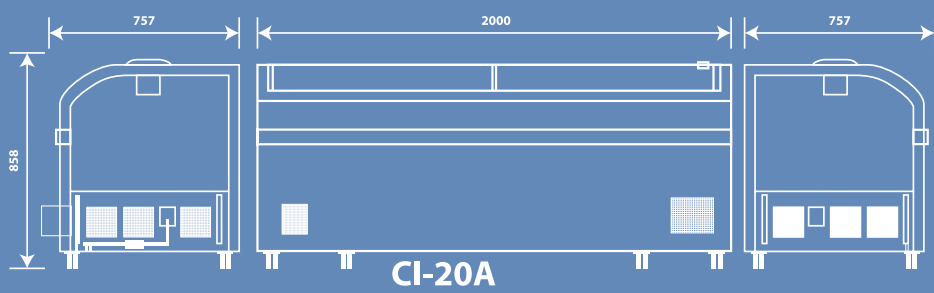
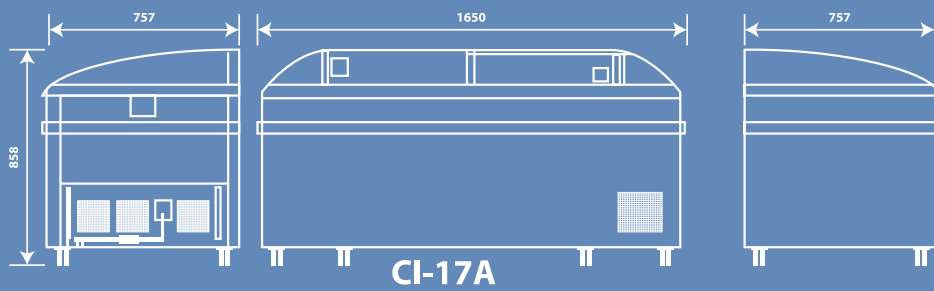
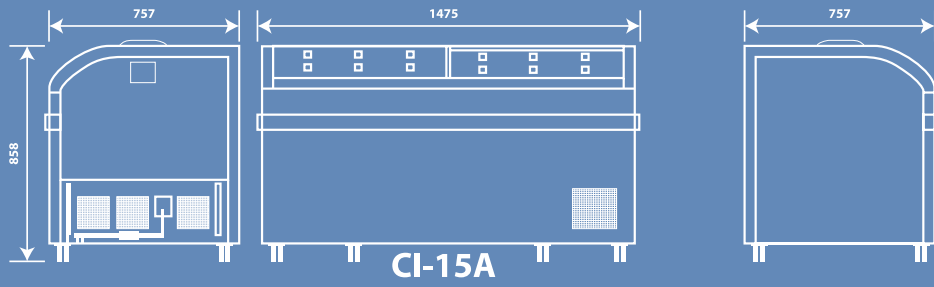
Copper condenser and evaporator



Double air curtain and high cooling efficiency



Available in different colours and sizes





## TECHNICAL SPECIFICATIONS

MODEL NUMBER	BILF 19AEN	BILF 20AEN	BILF 19AENCG	BILF 20AENCG
Function	Freezer	Freezer	Freezer	Freezer
Size in ft	6.3	6.6	6.3	6.3
Temp Range °C	-18 °C	-18 °C	-18 °C	-18 °C
Gross capacity in Ltrs	790	890	850	900
Voltage/Frequency	220VAC~240VAC, 50Hz	220VAC~240VAC, 50Hz	220VAC~240VAC, 50Hz	220VAC~240VAC, 50Hz
Refrigerant	R290	R290	R290	R290
Cooling Type	Ventilated	Ventilated	Ventilated	Ventilated
<b>Features</b>				
Inner Tank	Prepainted Steel	Prepainted Steel	Prepainted Steel	Prepainted Steel
Basket Available	Yes	Yes	Yes	Yes
Caster Wheels	6 No.s Yes	6 No.s Yes	6 No.s Yes	6 No.s Yes
Glass Cover Assembly	Curved Glass, Step Bottom	Curved Glass, Step Bottom	Curved Glass, Step Bottom	Curved Glass, Step Bottom
Top Glass Sliding	Top-Bottom	Top-Bottom	Left - Right	Left - Right
Light	Yes	Yes	Yes	Yes
Temp Display	Digital	Digital	Digital	Digital
Dimension(WxDxH) in mm	1915x890x820	2000x890x880	1915x890x820	2000x890x880
Weight in kg	113	139	130	133

Note: Technical specifications are subject to change due to continuous product development.

## COMBINATI

This unique product utilises the vertical dimension and fills up spaces which have previously been empty with its overhead freezer cabinet. This enables you to use your sales space to its maximum potential and catch your customers' eye with a flawless product presentation. It also comes with an LED light to make food items stored inside look attractive and an aluminium frame design to look superior on the outside.

## FEATURES



Better visibility for more sales



Eye level merchandise with customer



Multiple colour options



Aluminium frame for superior look



Energy saving LED light



Semi auto defrost setting



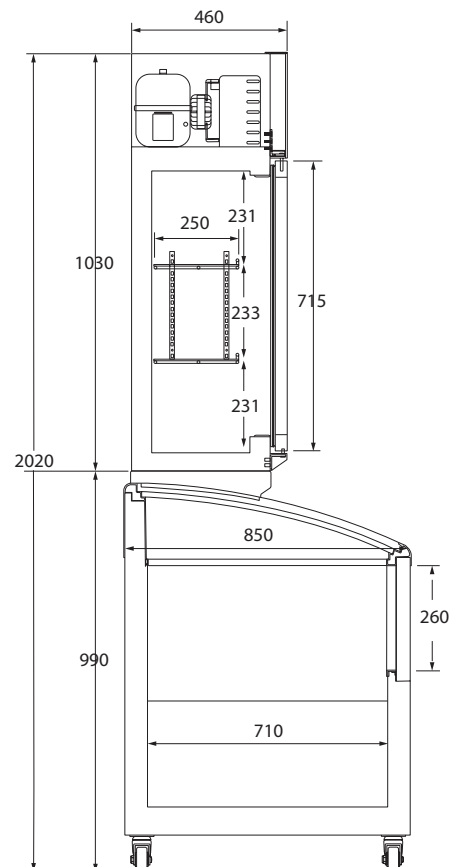
Self closing door



Low emissivity

## TECHNICAL SPECIFICATIONS

MODEL NUMBER	KORAL12FCNB	KORAL12FCNU	KORAL13FCNB	KORAL13FCNU
Function	Freezer	Freezer	Freezer	Freezer
Size in ft	4.1	4	5	4.85
Temp Range °C	≤-22 °C	≤-22 °C	≤-22 °C	≤-22 °C
Gross capacity in Ltrs	465	210	570	260
Voltage/Frequency	220VAC~240VAC, 50Hz	220VAC~240VAC, 50Hz	220VAC~240VAC, 50Hz	220VAC~240VAC, 50Hz
Refrigerant	R290	R290	R290	R290
Defrost	Manual	Auto	Manual	Auto
<b>Features</b>				
Inner Tank	Prepainted Steel	Prepainted Steel	Prepainted Steel	Prepainted Steel
Glass Lids	2 no. Sliding	2no.s Hinged, Auto Closed	2 no. Sliding	2no.s Hinged, Auto Closed
Feet	4 No.s Yes	Na	4 No.s Yes	Na
Adjustable Thermostat	Electronic Controller	Electronic Controller	Electronic Controller	Electronic Controller
Top Glass Sliding	Left - Right	Hinge Door	Left - Right	Hinge Door
Led Light	Yes	Yes	Yes	Yes
Colling	Static	Ventilated	Static	Ventilated
Dimension(W×D×H) in mm	1250×890×880	1205×460×1030	1500×890×880	1455×460×1030
Weight in kg	99	120	108	145





Scan QR Code -  
Blue Star Customer  
Care Mobile App.



SMS "SERVICE" to 57575



Download Blue Star Customer  
Care Mobile App from  
App Store & Google Play



To know more about Blue Star, visit  
[www.bluestarindia.com](http://www.bluestarindia.com), email us at  
[coolingsolutions@bluestarindia.com](mailto:coolingsolutions@bluestarindia.com)  
or SMS 'COOL' to 57575



24X7 CUSTOMER CARE  
(Toll Free) 1800 209 1177  
1860 266 6666

For more information, please contact **BLUE STAR LIMITED • Ahmedabad:** 301 & 302, (3rd floor), Abhishree Avenue, (Near) Nehru Circle, SM Road, Ambawadi, Ahmedabad - 380015. Tel: (079) 40224000 • **Bengaluru:** Anjuman Kay A R R Tower, No 28, Ward No 77, Mission Road, Bengaluru - 560027. Tel: +91 (80) 4185 4000 • **Bhubaneshwar:** 3A Satya Nagar, 2nd floor, Bhubaneshwar - 751007. Tel: (0674) 2572403/2573670 • **Chandigarh:** 4th floor, Adarsh Mall, Plot No. 50, Industrial & Business Park, Phase II, Chandigarh - 160002. Tel: (0172) 5024000 • **Chennai:** KRM Plaza, No. 2, Harrington Road, Chetpet, Chennai - 600031. Tel: (044) 42444000 • **Ghaziabad:** C 53A, Third floor, Rajnagar District Centre (RDC), Raj Nagar, Ghaziabad - 201001, Uttar Pradesh. Tel: (0120) 2821400 • **Goa:** 210, 2nd floor, Gera's Imperium 1, Patto, Panjim, Goa - 403001. Tel: (0832) 2438171/2437287 • **Guwahati:** Oasis Plaza, 1st Floor, Dr. B. Baroah Road, Ulubari Kamrup, Guwahati - 781007. Tel: (0361) 2468496 • **Gurugram:** 6th floor, Vatika Atrium, Golf Course Road, Sector 53, Gurugram - 122002. (Haryana). Tel: (0124) 4094000 • **Indore:** Office No. 502, Maloo-01 26/C, Scheme No. 94/C Ring Road, Indore - 452010. Tel: (91) (731) 4001211/4001311 • **Jaipur:** A-19, 1st floor, Main Sahakar Path, Near Sahakar Bhavan, Jaipur - 302001. Tel: (0141) 2744033-35 • **Jamshedpur:** 2nd Floor, Sai Apartment, Opposite Thakur Pyara Singh Ground, Kasidhi, Sakchi, Jamshedpur - 831 001 Tel: (91) (657) 222 1530 • **Kochi:** 2nd floor Millennium Plaza, MKK Nair Road, Alinchuvadu Junction, Kochi - 682024. Tel: (0484) 4499000 • **Kolkata:** 7, Hare Street, Kolkata - 700001. Tel: (033) 22134100 • **Ludhiana:** SCO 16-17, Feroze Gandhi Market, Fortune Chambers, 3rd floor, Ludhiana - 141001. (Punjab) Tel: (0161) 5001404 • **Lucknow:** 177/4, Faizabad Road, Lucknow - 226007 Tel: (0522) 403400 • **Mumbai:** Blue Star House, 9-A Ghatkopar Link Road, Saki Naka, Mumbai - 400072. Tel: (022) 66684100 • **Nagpur:** 219, Bajaj Nagar, 1st floor, South Ambazari Road, Nagpur - 440010. Tel: (0712) 2249000/6624000 • **Patna:** Ambition Business Centre, Laxmikant Niketan Parisar, 4th floor, 'B' Block, Room No. 405, Jamal Road, Patna - 800001 • **Pune:** 201/A, Nityanand Complex, 1st floor, 247/A, Bund Garden Road, Pune - 411001. Tel: (020) 41044000/26169332 • **Raipur:** Alaska Corporates, 3rd floor, Opp. VIP Road, Jivan Vihar Colony, G E Road, Raipur, Chhattisgarh - 492006. Tel: (0771) 6544000 • **Secunderabad:** Ashoka Raghupati Chambers, No. 1-10-60 to 64, 4th Floor, S P Road, Begumpet, Hyderabad, Telangana - 500 016. Tel: (040) 4400 4000 • **Thane:** 2<sup>nd</sup> Pokhran Road, Majiwada, Thane - 400601 Tel: (022) 6715 4500 • **Thiruvananthapuram:** TC IV/962, 'Chandrika', Sree Chitra Nagar, PipeLine Road, Kawdiar, Thiruvananthapuram - 695003. Tel (0471) 2720025/65 • **Vadodara:** Ramakrishna Chambers, 7th floor, Productivity Road, Alkapuri, Vadodara - 390007. Tel: (0265) 2330334/6614100 • **Visakhapatnam:** D. No. 49-24-65/1, Near Sankarmatam Road, Madhura Nagar, Visakhapatnam - 530016. Tel: (0891) 2748405/2748433 • **Vijayawada:** No. 40-1-62, Nagas Hafeez Plaza, Opposite to grand modern supermarket, Near BENZ Circle, M G Road, Vijayawada 10. Tel: (0866) 2484004.



Blue Star products comply with RoHS regulations as per E-Waste (Management & Handling) Rules, 2016. For disposal of E-Waste, kindly visit our website [www.bluestarindia.com](http://www.bluestarindia.com) or call our customer care 1800 209 1177 (Toll Free) or 1860 266 6666.